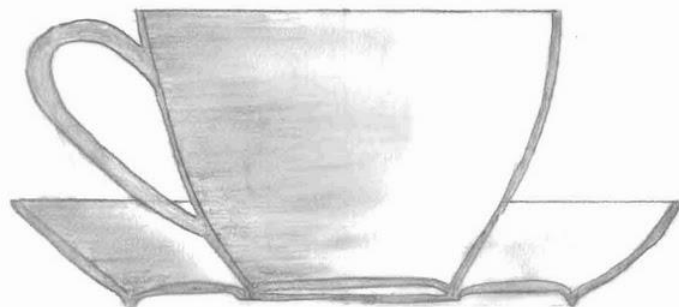


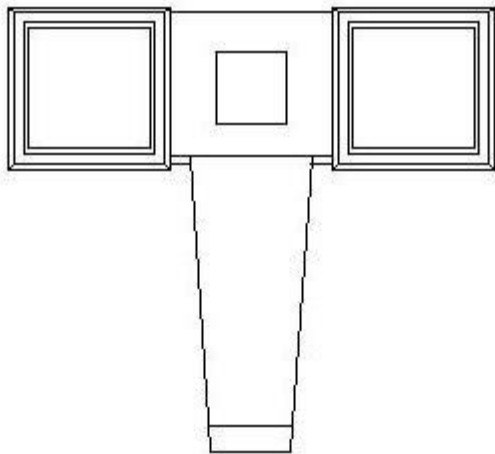
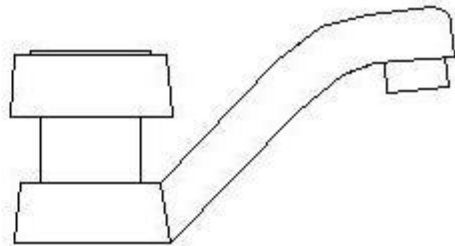
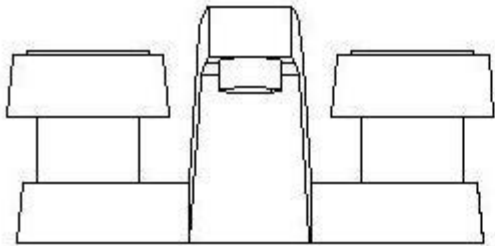
PLAN

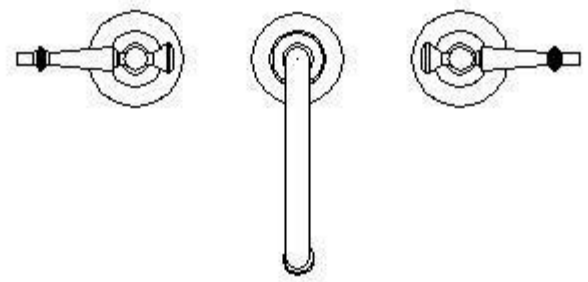
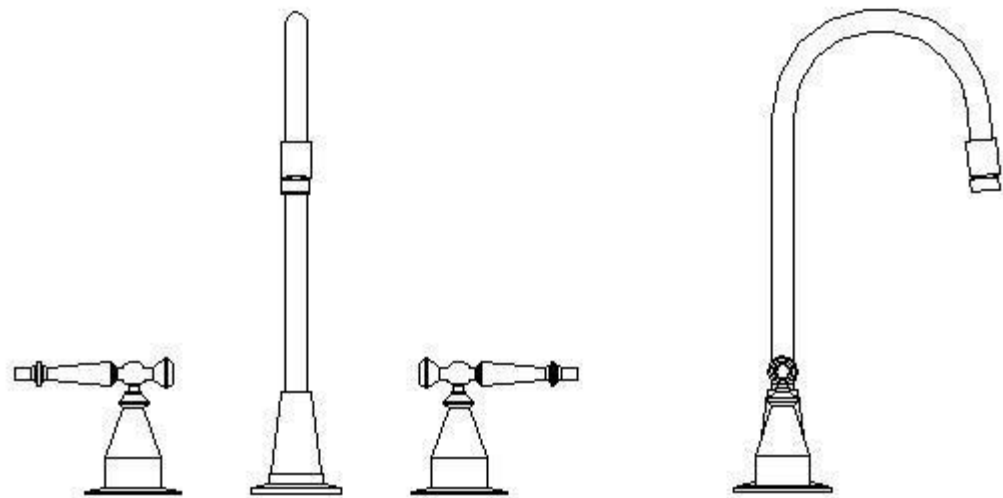
SECTION



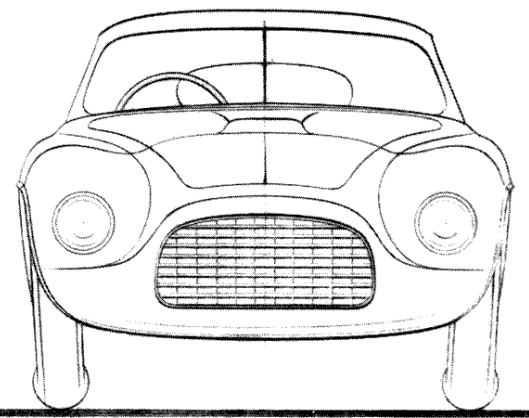
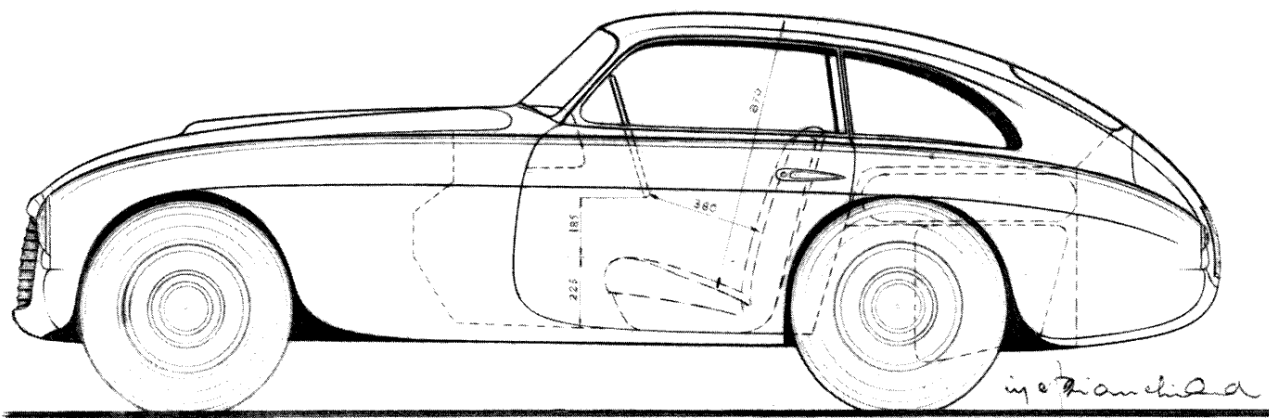
ELEVATION



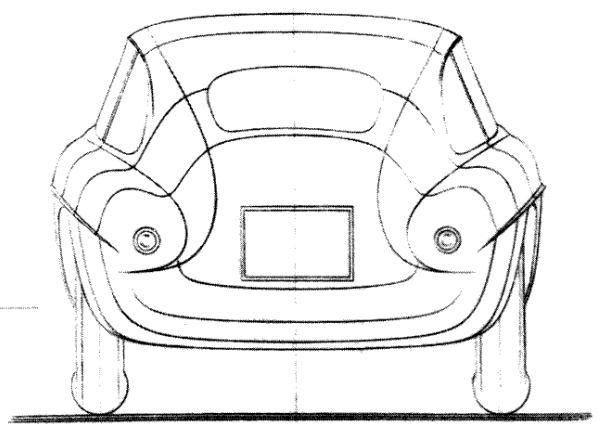
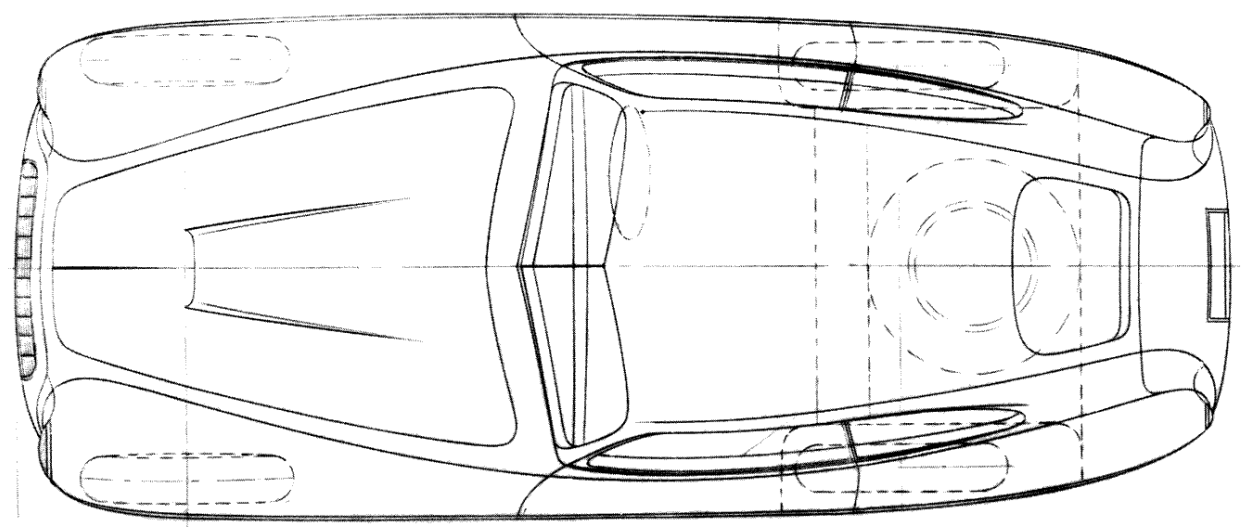




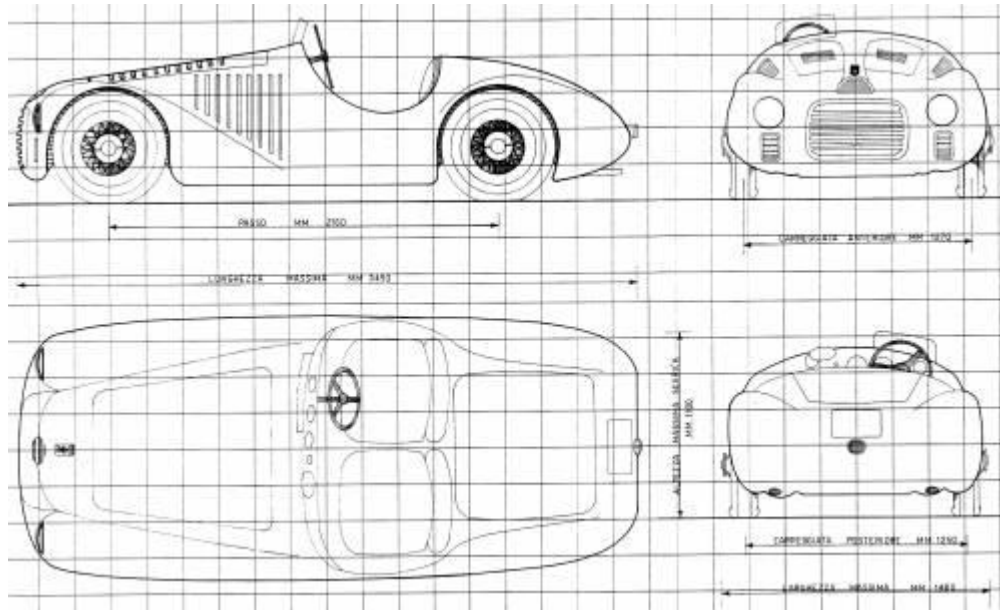
*Carrozzeria
Touring
MILANO
"Superleggera"*



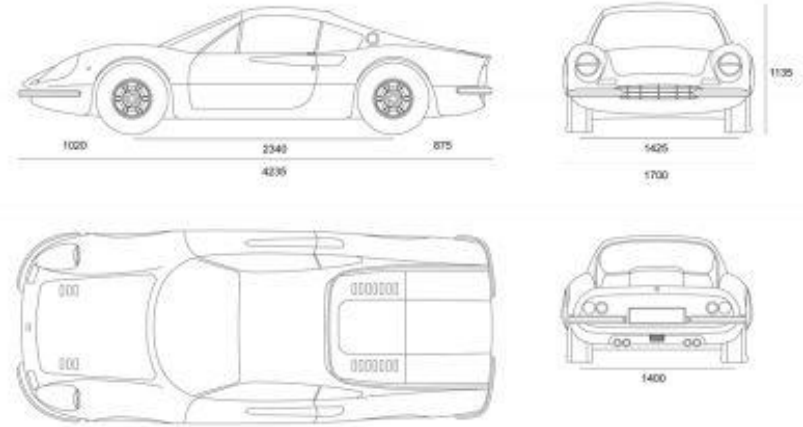
in etichetta



*Gruppo Corsa tipo "Le Mans"
su Autoveicolo Ferrari M.M. 1350
Progettazione 1950
Disegno N° 1230
Disegn. Astorci
Data 24-11-54*



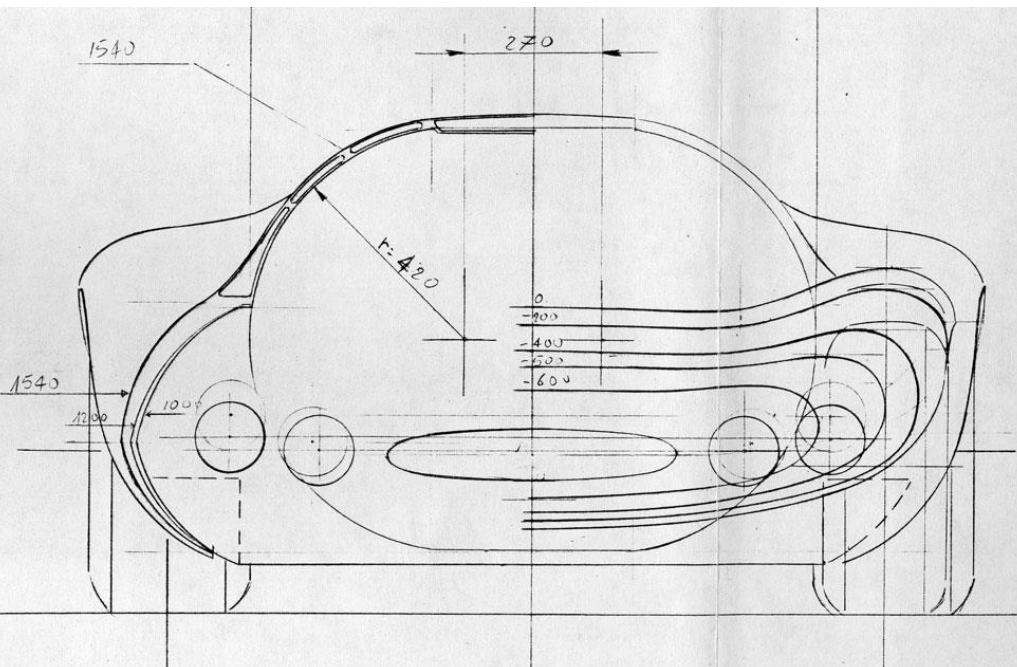
Ferrari Dino 246 GT (1969)

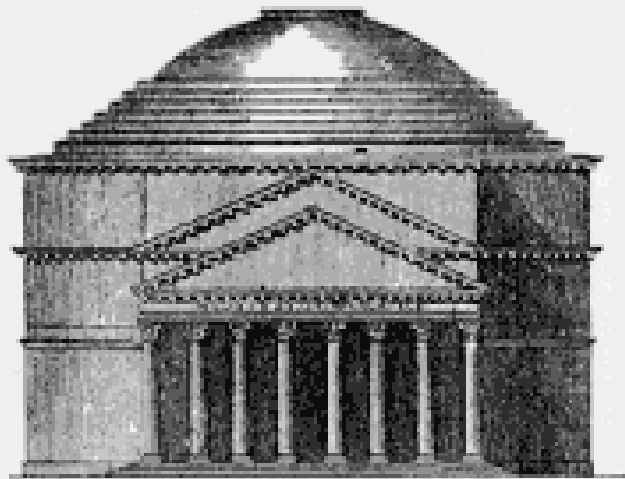


Scale: 1:20
 0 10 20
 TOE
 All measurements in millimeters.

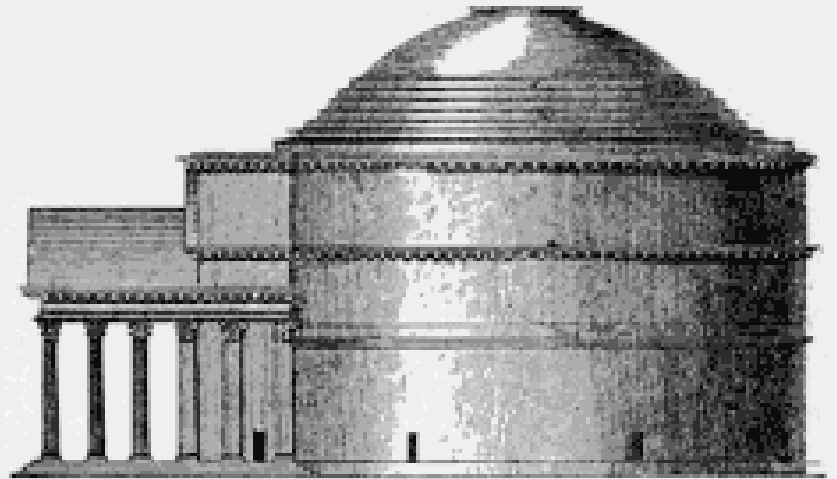
© 2008 - 2010, Onno van Erwin, www.the-blueprints.com
 The largest free 3 view, template and blueprint collection on the internet.

EVolution
 BLUEPRINTS & TEMPLATES

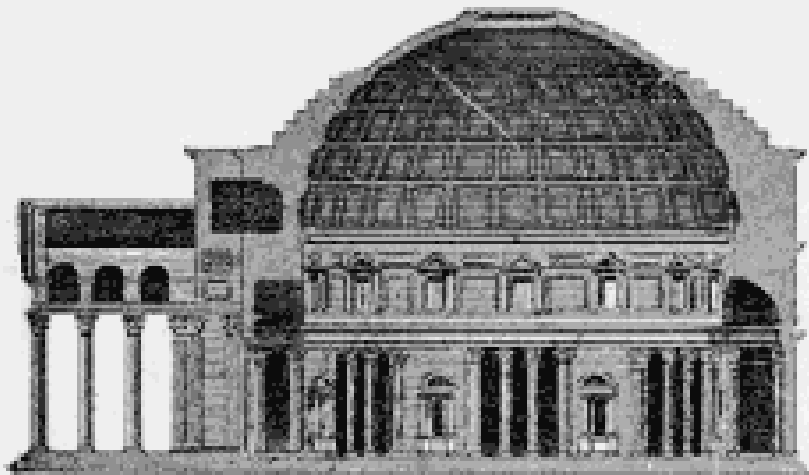




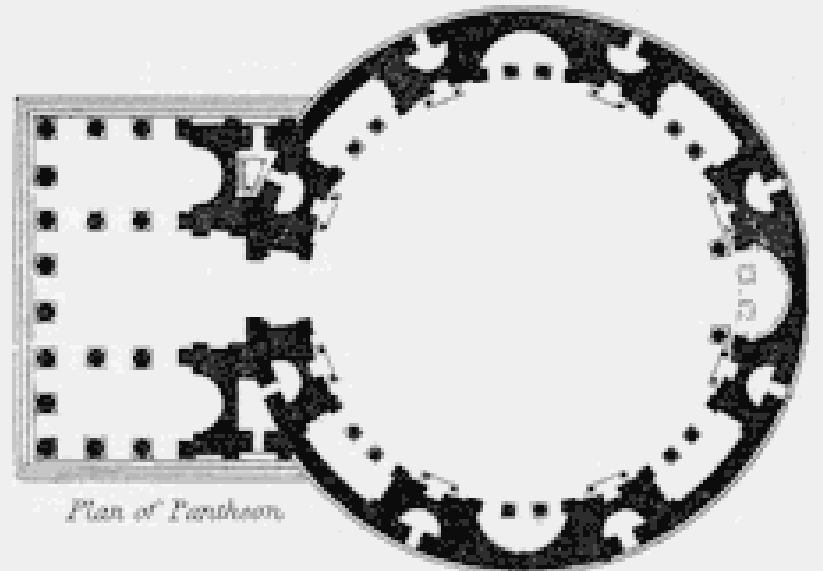
The Pantheon, Rome. Front Elevation



The Pantheon, Rome. Side Elevation



Section of Pantheon



Plan of Pantheon