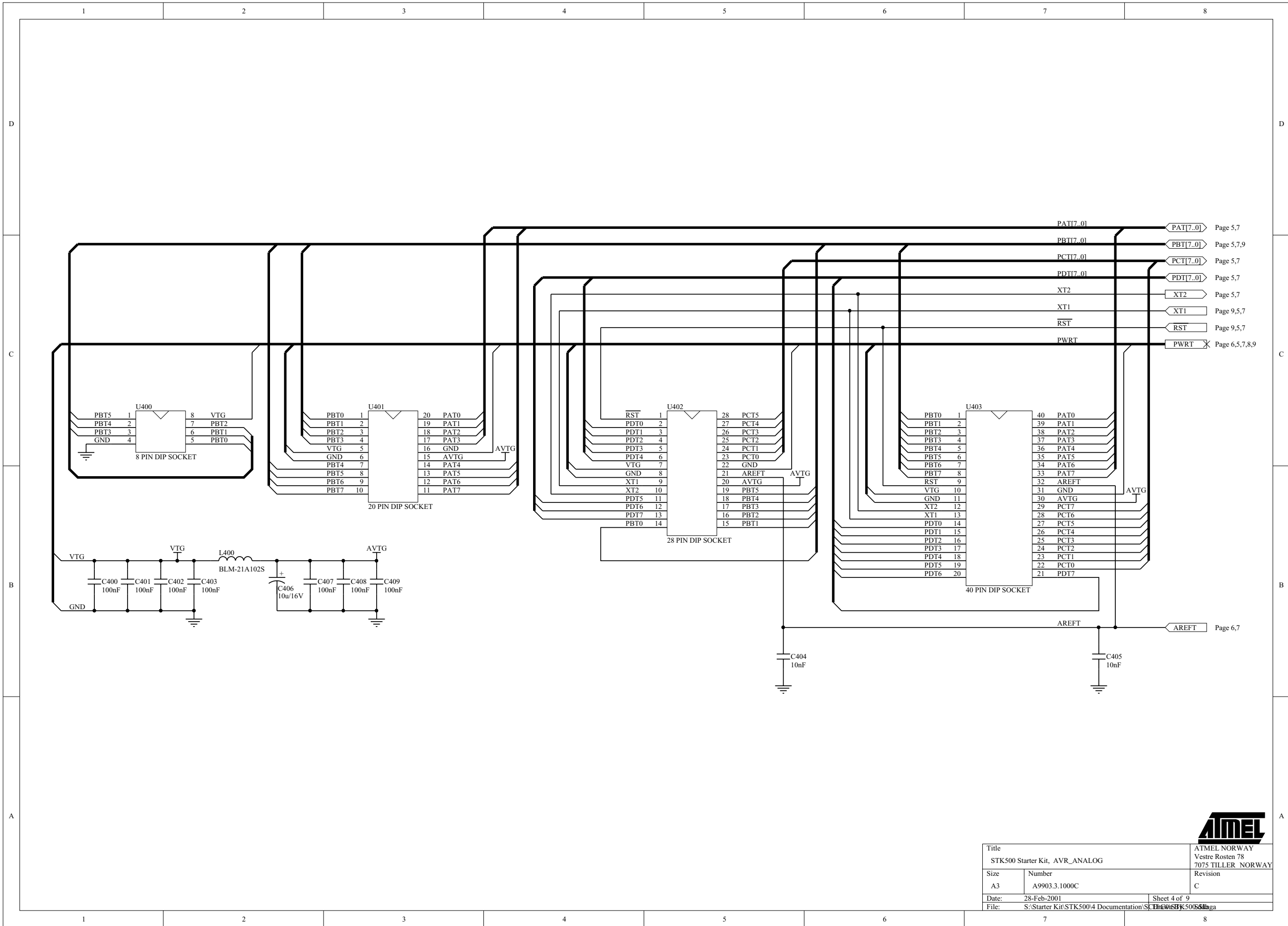
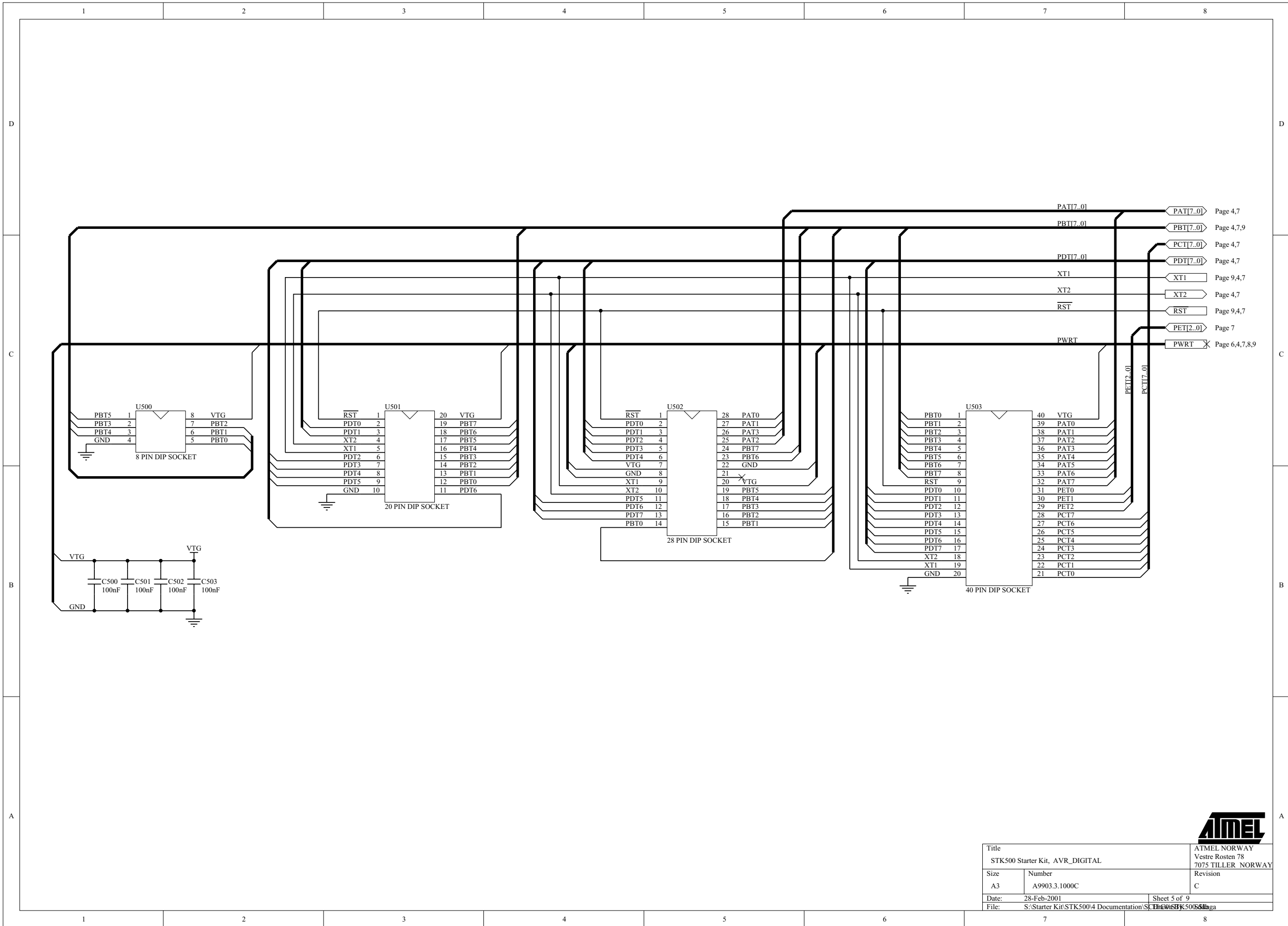


Title		ATMEL NORWAY
STK500 Starter Kit		Vestre Rosten 78
Size		7075 TILLER, NORWAY
A3	Number	Revision
	A9903.3.1000C	C
Date:	28-Feb-2001	Sheet 1 of 9
File:	S:\Starter Kit\STK500\4 Documentation\Sheet 1 of 9\STK500_4_1.dwg	



Title STK500 Starter Kit, AVR_ANALOG		ATMEL NORWAY Vestre Rosten 78 7075 TILLER, NORWAY
Size A3	Number A9903.3.1000C	Revision C
Date: 28-Feb-2001	Sheet 4 of 9	
File: S:\Starter Kit\STK500\4 Documentation\SCHEM\STK500\4\4.dwg		

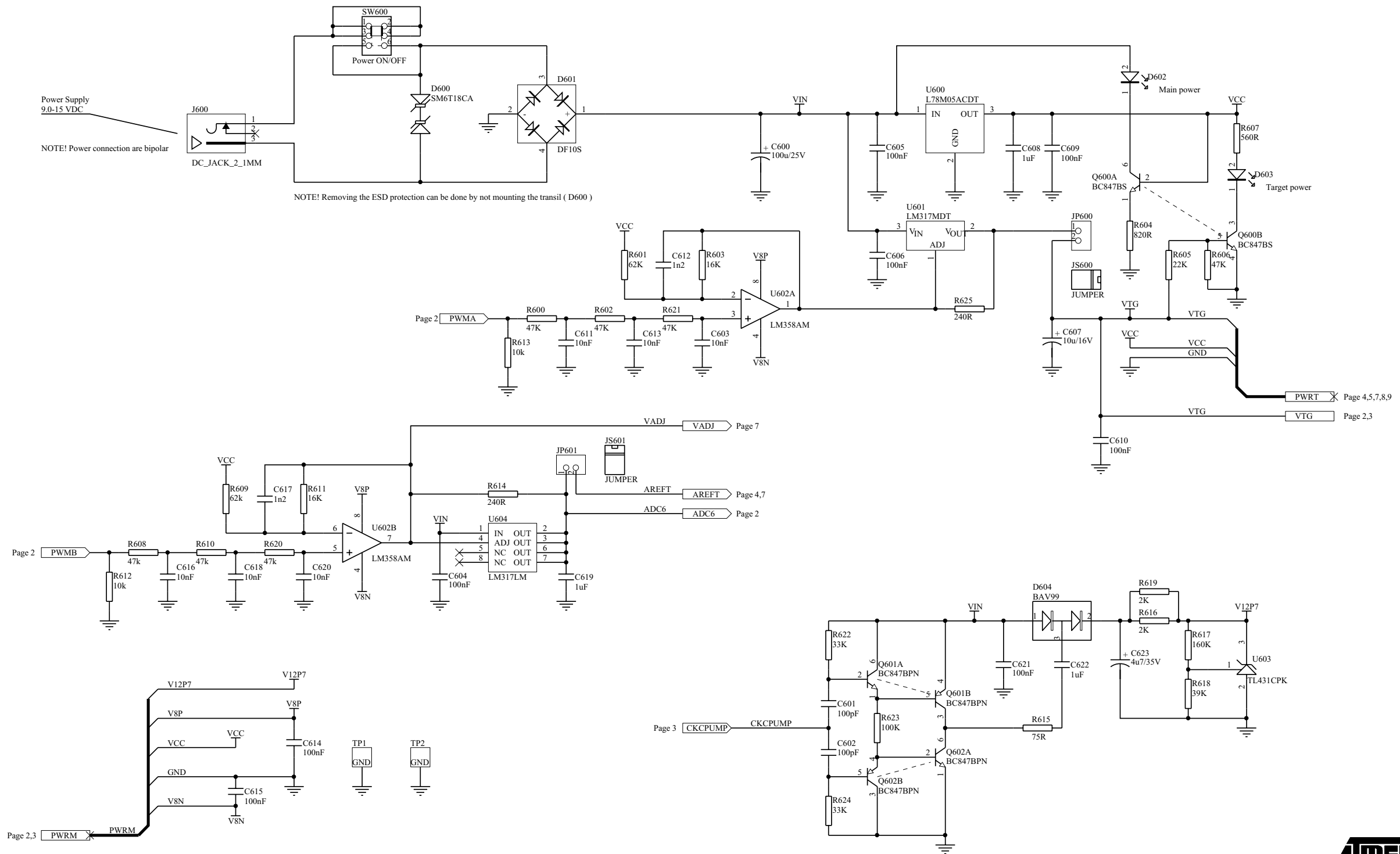


Title STK500 Starter Kit, AVR_DIGITAL		ATMEL NORWAY Vestre Rosten 78 7075 TILLER, NORWAY
Size A3	Number A9903.3.1000C	Revision C
Date: 28-Feb-2001	Sheet 5 of 9	
File: S:\Starter Kit\STK500\4 Documentation\SCHEM\STK500_4.dwg		

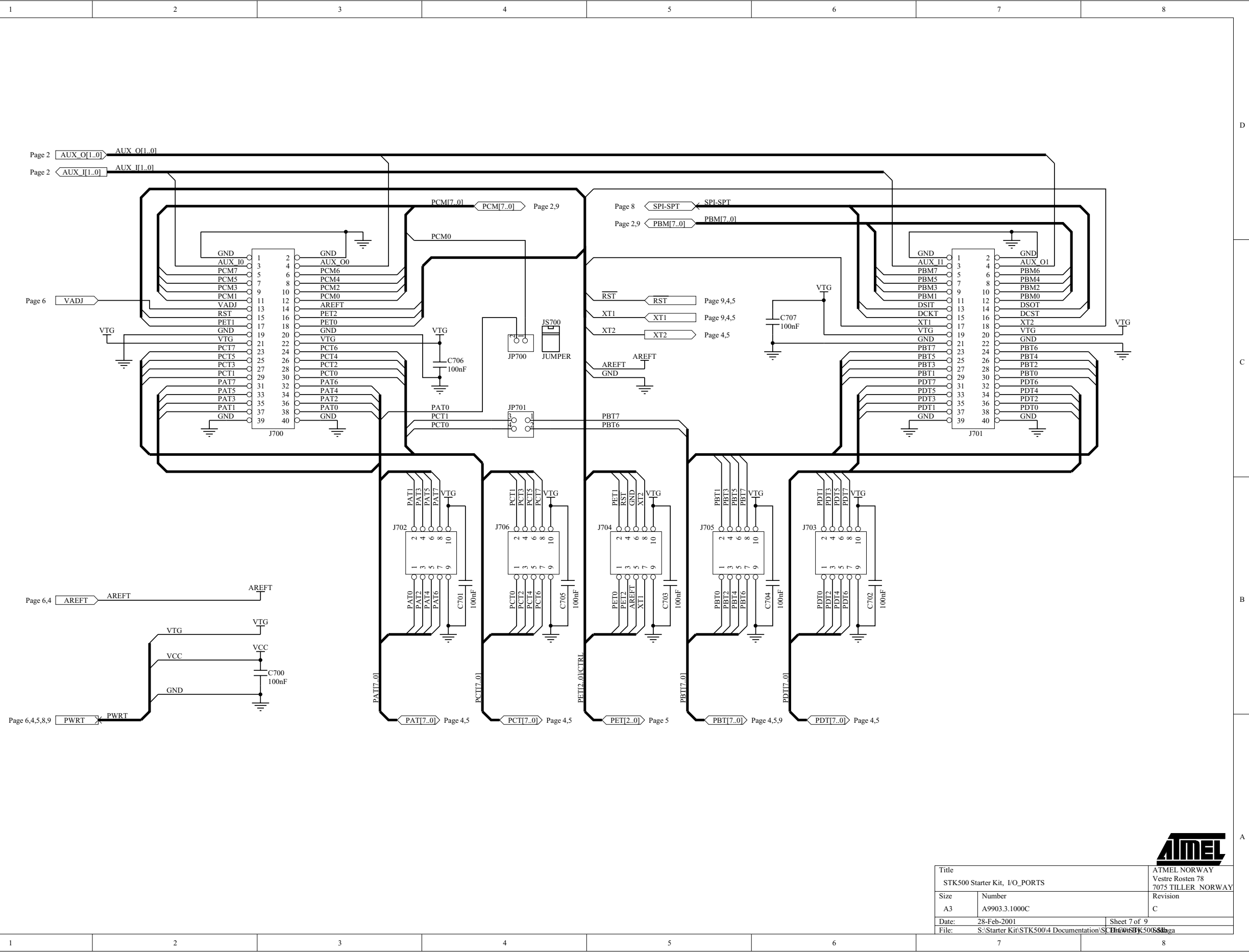
Power Supply
9.0-15 VDC

NOTE! Power connection are bipolar

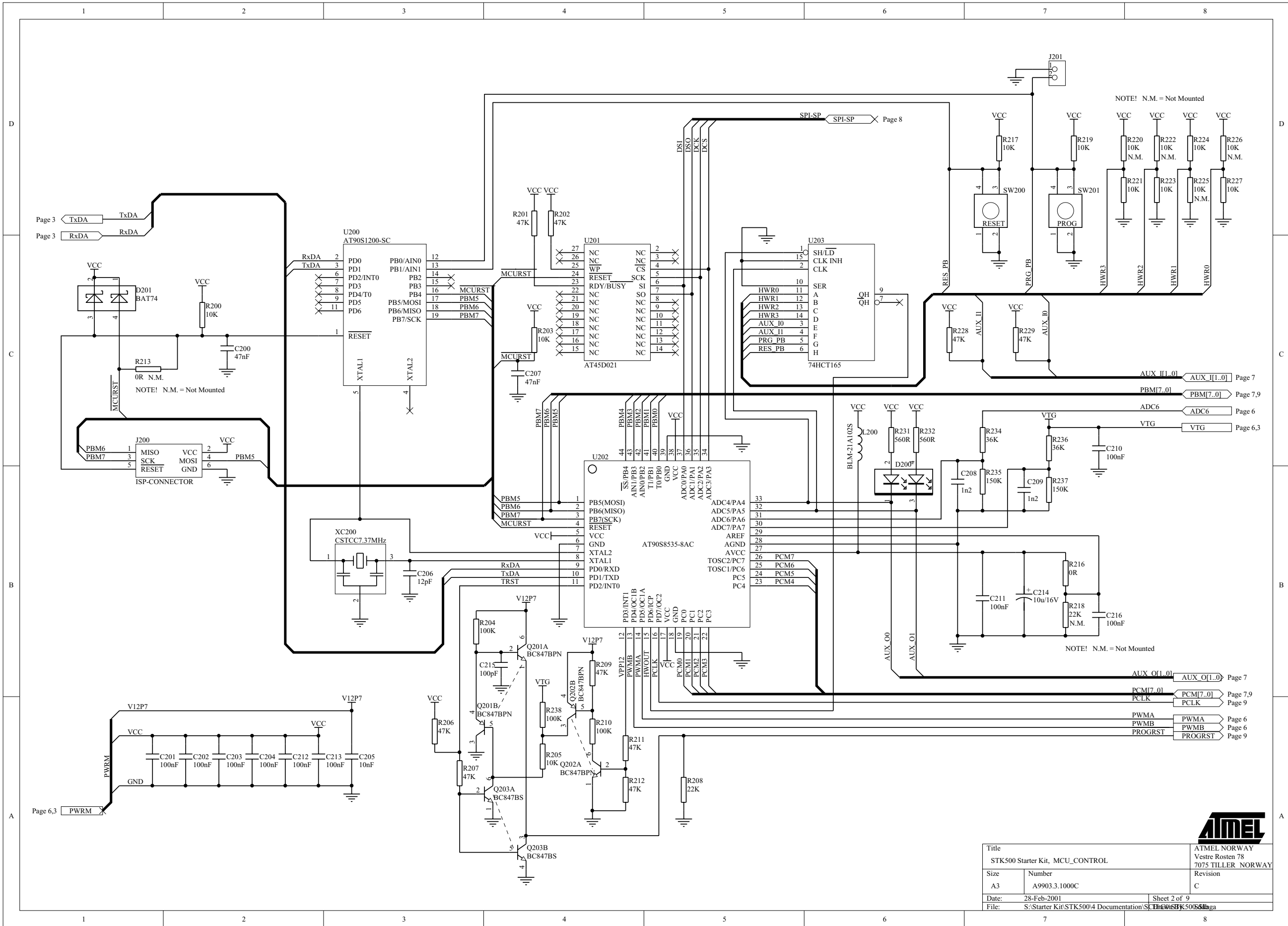
NOTE! Removing the ESD protection can be done by not mounting the transistor (D600)



Title STK500 Starter Kit, POWER		ATMEL NORWAY Vestre Rosten 78 7075 TILLER, NORWAY
Size A3	Number A9903.3.1000C	Revision C
Date: 28-Feb-2001	Sheet 6 of 9	
File: S:\Starter Kit\STK500\4 Documentation\SCHEM\STK500_4_6.dwg		

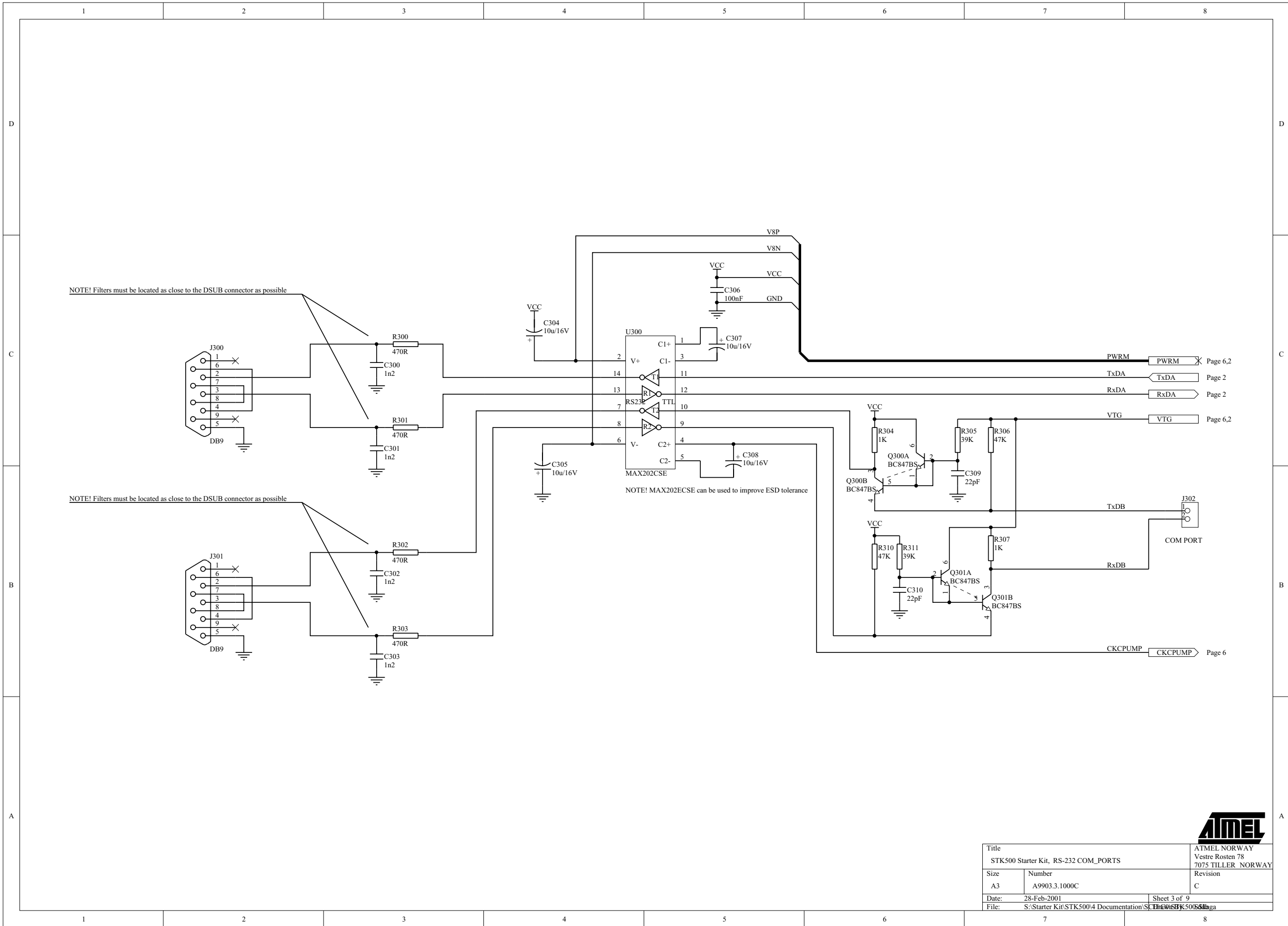


Title		ATMEL NORWAY
STK500 Starter Kit, I/O_PORTS		Vestre Rosten 78
Size		7075 TILLER, NORWAY
A3	Number	Revision
	A9903.3.1000C	C
Date:	28-Feb-2001	Sheet 7 of 9
File:	S:\Starter Kit\STK500\4 Documentation\SCHEMATIC\STK500\4\I/O_PORTS.dwg	

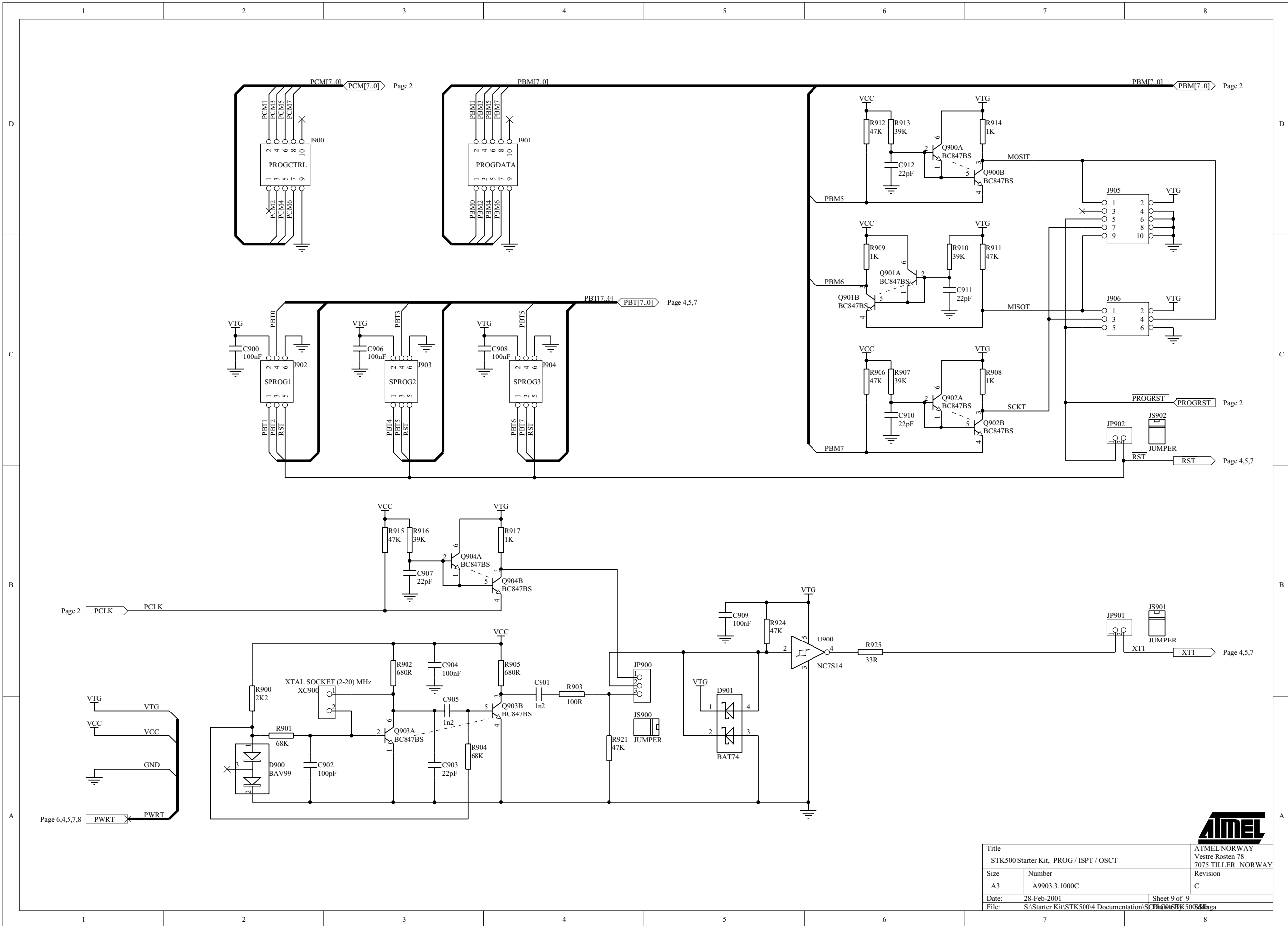


Title		ATMEL NORWAY
STK500 Starter Kit, MCU_CONTROL		Vestre Rosten 78
Size		7075 TILLER NORWAY
A3	Number	Revision
	A9903.3.1000C	C
Date:	28-Feb-2001	Sheet 2 of 9
File:	S:\Starter Kit\STK500\4 Documentation\SCHEM\STK500S4.dwg	





Title		ATMEL NORWAY
STK500 Starter Kit, RS-232 COM_PORTS		Vestre Rosten 78
Size		7075 TILLER, NORWAY
A3	Number	Revision
	A9903.3.1000C	C
Date:	28-Feb-2001	Sheet 3 of 9
File:	S:\Starter Kit\STK500\4 Documentation\SCHEM\STK500COM_PORTS.dwg	

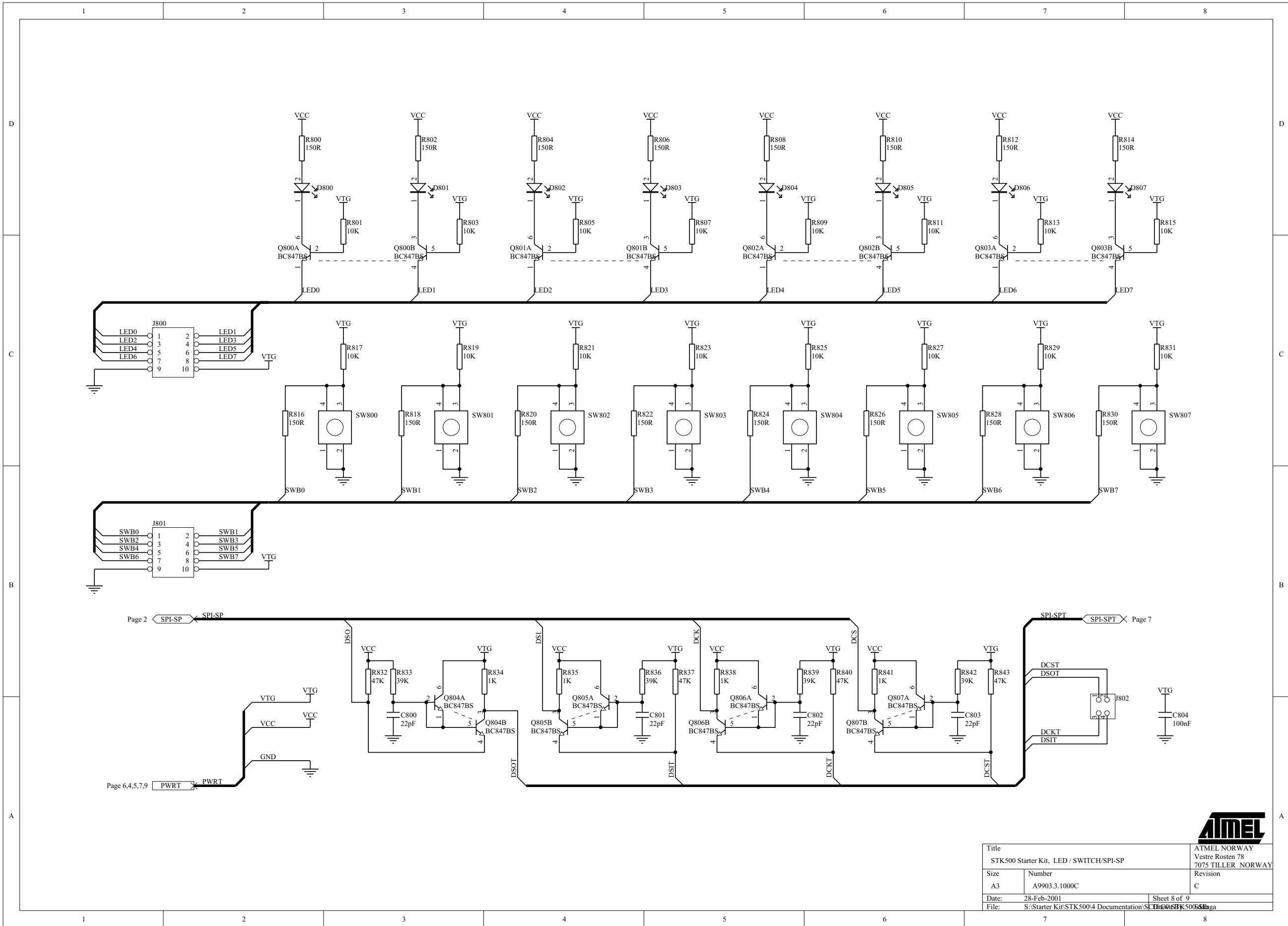


Page 2 PCLK PCLK

Page 6,4,5,7,8 PWRT PWRT



Title		ATMEL NORWAY
STK500 Starter Kit, PROG / ISPT / OSCT		Vestre Rosten 78
Size		7075 TILLER NORWAY
A3	Number	Revision
	A9903.3.1000C	C
Date:	28-Feb-2001	Sheet 9 of 9
File:	S:\Starter Kit\STK500\4 Documentation\Sheet 9 of 9	

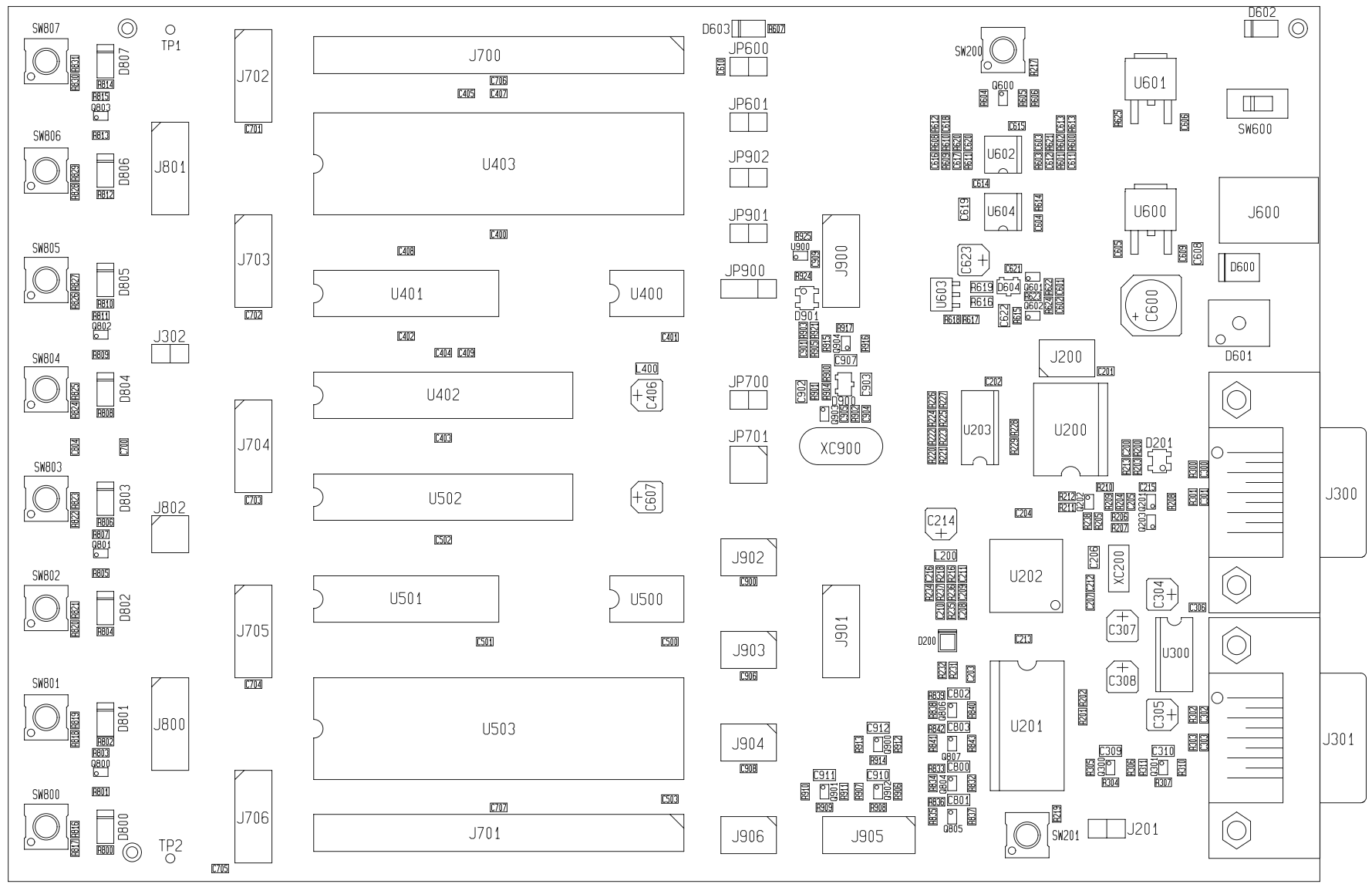


Page 2 SPL-SP SPL-SP Page 7

Page 6,4,5,7,9 PWRT PWRT



Title		ATMEL NORWAY
STK500 Starter Kit, LED / SWITCH/SPI-SP		Vestre Rosten 78
Size		7075 TILLER NORWAY
A3	Number	Revision
	A9903.3.1000C	C
Date:	28-Feb-2001	Sheet 8 of 9
File:	S:\Starter Kit\STK500\4 Documentation\SCHEM\STK500\4\4.dwg	



COMP	LOC	COMP	LOC	COMP	LOC	COMP	LOC
C200	C4	C906	D3	R208	C4	R822	C1
C201	C4	C907	C3	R209	C4	R823	C1
C202	C4	C908	D3	R210	C4	R824	C1
C203	D4	C909	B3	R211	C4	R825	C1
C204	C4	C910	D3	R212	C4	R826	C1
C205	C4	C911	D3	R213	C4	R827	B1
C206	C4	C912	D3	R216	D4	R828	B1
C207	D4	D200	D4	R217	B4	R829	B1
C208	D4	D201	C4	R218	D4	R830	B1
C209	D4	D600	B4	R219	D4	R831	B1
C210	D4	D601	C4	R220	C4	R832	D4
C211	D4	D602	A5	R221	C4	R833	D4
C212	D4	D603	B3	R222	C4	R834	D4
C213	D4	D604	B4	R223	C4	R835	D4
C214	C4	D800	D2	R224	C4	R836	D4
C215	C4	D801	D2	R225	C4	R837	D4
C216	D4	D802	D2	R226	C4	R838	D4
C300	C4	D803	C2	R227	C4	R839	D4
C301	C4	D804	C2	R228	C4	R840	D4
C302	D4	D805	B2	R229	C4	R841	D4
C303	D4	D806	B2	R231	D4	R842	D4
C304	D4	D807	B2	R232	D4	R843	D4
C305	D4	D900	C3	R234	D4	R900	C3
C306	D4	D901	C3	R235	D4	R901	C3
C307	D4	JP600	B3	R236	D4	R902	C3
C308	D4	JP601	B3	R237	D4	R903	C3
C309	D4	JP700	C3	R238	C4	R904	C3
C310	D4	JP701	C3	R300	C4	R905	C3
C400	B2	JP900	B3	R301	C4	R906	D4
C401	C3	JP901	B3	R302	D4	R907	D3
C402	C2	JP902	B3	R303	D4	R908	D3
C403	C2	J200	C4	R304	D4	R909	D3
C404	C2	J201	D4	R305	D4	R910	D3
C405	B2	J300	C5	R306	D4	R911	D3
C406	C3	J301	D5	R307	D4	R912	D3
C407	B2	J302	C2	R310	D4	R913	D3
C408	B2	J600	B5	R311	D4	R914	D3
C409	C2	J700	B2	R600	B4	R915	C3
C500	D3	J701	D2	R601	B4	R916	C3
C501	D2	J702	B2	R602	B4	R917	C3
C502	C2	J703	B2	R603	B4	R921	C3
C503	D3	J704	C2	R604	B4	R924	B3
C600	C4	J705	D2	R605	B4	R925	B3
C601	B4	J706	D2	R606	B4	SW200	B4
C602	C4	J800	D2	R607	B3	SW201	D4
C603	B4	J801	B2	R608	B4	SW600	B5
C604	B4	J802	C2	R609	B4	SW800	D1
C605	B4	J900	B3	R610	B4	SW801	D1
C606	B4	J901	D3	R611	B4	SW802	D1
C607	C3	J902	C3	R612	B4	SW803	C1
C608	B4	J903	D3	R613	B4	SW804	C1
C609	B4	J904	D3	R614	B4	SW805	B1
C610	B3	J905	D3	R615	C4	SW806	B1
C611	B4	J906	D3	R616	C4	SW807	B1
C612	B4	L200	C4	R617	C4	TP1	B2
C613	B4	L400	C3	R618	C4	TP2	E2
C614	B4	Q201	C4	R619	B4	U200	C4
C615	B4	Q202	C4	R620	B4	U201	D4
C616	B4	Q203	C4	R621	B4	U202	D4
C617	B4	Q300	D4	R622	B4	U203	C4
C618	B4	Q301	D4	R623	C4	U300	D4
C619	B4	Q600	B4	R624	C4	U400	B3
C620	B4	Q601	B4	R625	B4	U401	B2
C621	B4	Q602	C4	R800	E1	U402	C2
C622	C4	Q800	D1	R801	D1	U403	B2
C623	B4	Q801	C1	R802	D1	U500	D3
C700	C2	Q802	C1	R803	D1	U501	D2
C701	B2	Q803	B1	R804	D1	U502	C2
C702	C2	Q804	D4	R805	D1	U503	D2
C703	C2	Q805	D4	R806	C1	U600	B4
C704	D2	Q806	D4	R807	C1	U601	B4
C705	E2	Q807	D4	R808	C1	U602	B4
C706	B2	Q900	D4	R809	C1	U603	B4
C707	D2	Q901	D3	R810	C1	U604	B4
C800	D4	Q902	D4	R811	C1	U900	B3
C801	D4	Q903	C3	R812	B1	XC200	D4
C802	D4	Q904	C3	R813	B1	XC900	C3
C803	D4	R200	C4	R814	B1		
C804	C1	R201	D4	R815	B1		
C900	D3	R202	D4	R816	D1		
C901	C3	R203	C4	R817	E1		
C902	C3	R204	C4	R818	D1		
C903	C3	R205	C4	R819	D1		
C904	C3	R206	C4	R820	D1		
C905	C3	R207	C4	R821	D1		

Referanser - References ATMEL Norway AS		Utført (også faktaansvarig hvis annen) - Prepared (also subject responsible if other) Tor Finstad	
SOLUTION STARTER KIT (Scale 1.25 : 1)		Dokansv/Godk - Doc respons/Approved	Dato - Date Rev 2000-07-14 C
		Produktbetegnelse - Product name PRINTED BOARD ASSEMBLY	
		Dokumentnr - Document No. A9903.30.1000.C	Side - Sheet 1 (1)